

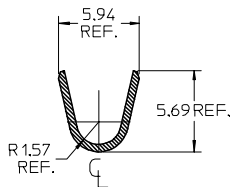
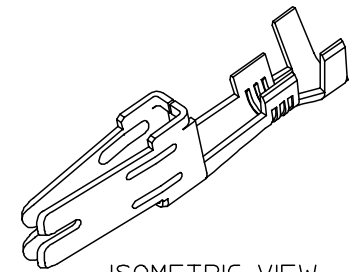
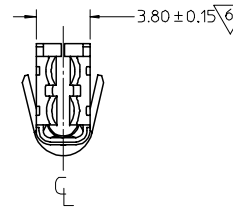
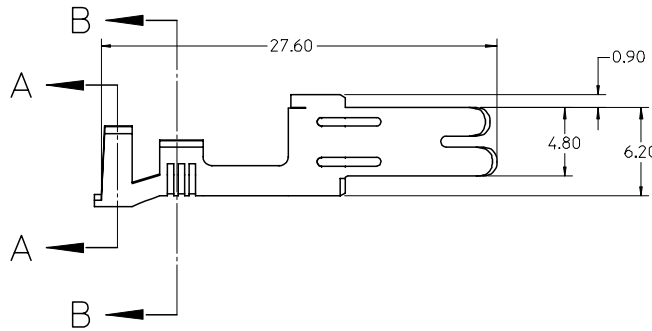
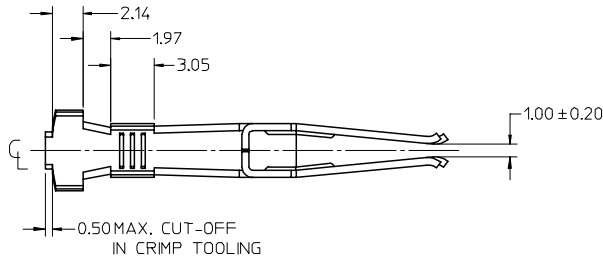
NOTES:

1. MATERIAL: COPPER ALLOY 151, 0.50mm THICK.
2. PLATING:
OVERALL *TIN: 0.00254 MIN BRIGHT TIN
OVER 0.00127 MIN NICKEL.

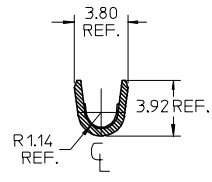
SELECT GOLD: 0.00076 MIN. SELECT GOLD IN CONTACT AREA,
0.00127 MIN. SELECT *TIN IN CRIMP AREA. OVER 0.00127 MIN NICKEL.

*THE PRIMARY SHIPPING CARTON WILL BE LABELED "COMPLIANT TO RoHS
DIRECTIVE 2002/95/EC AND ELV ANNEX II OF DIRECTIVE 2000/53/EC".
CARTONS WITHOUT THIS LABEL MAY CONTAIN PRODUCT WITH TIN-LEAD.

3. PRODUCT SPECIFICATION: PS-42815-001.
4. PART IS DESIGNED IN METRIC.
5. TERMINALS FOR USE WITH STRANDED WIRE ONLY.
STRANDED TINNED WIRE IS RECOMMENDED.
6. AFTER CRIMPING, THIS DIMENSION IS 3.55mm MINIMUM.
7. CRIMP SPECIFICATION: 638301000.
8. WHEN USING TIN-PLATED TERMINALS FOR APPLICATIONS
INVOLVING VIBRATION AND/OR THERMAL CYCLING,
MOLEX STRONGLY RECOMMENDS THE USE OF NYE LUBRICANT,
NYOGEL 760G, ON THE MATING AREA OF THE TERMINAL.
LUBRICANT SHOULD BE APPLIED AFTER THE TERMINALS ARE
INSERTED INTO THE HOUSING.



SECTION A-A
INSULATION CRIMP



SECTION B-B
CONDUCTOR CRIMP

MATERIAL NO.		PLATING		SCALE		DESIGN UNITS		THIRD ANGLE PROJECTION		REVISE ON CAD ONLY			
42815-0041		TIN		4:1		METRIC		☉					
42815-0042		SELECT GOLD		DIMENSION STYLE		MM ONLY		TITLE					
REVISED SECTIONS EC NO: UCP2006-1068 DRWN: JCOMERC 2005/11/07 CHKD: CHIKO 2005/11/07 APPR: JCOMERC 2005/11/08	DESCRIPTION	QUALITY SYMBOLS		GENERAL TOLERANCES (UNLESS SPECIFIED)		DATE		DATE		DATE			
		▽=0		mm INCH		DRAWN BY		DATE		DATE			
		◇=0		4 PLACES ± --- ± ---		MFIRLEJ		2002/05/15		2002/05/15		2002/05/15	
				3 PLACES ± --- ± .010		CHECKED BY		DATE		DATE		DATE	
				2 PLACES ± 0.25 ± .016		JCOMERC		2002/05/15		2002/05/15		2002/05/15	
		1 PLACE ± 0.40 ± ---		ANGULAR ±1/2°		APPROVED BY		DATE		DATE			
B2		REV		DRAFT WHERE APPLICABLE		JCOMERC		2002/05/15		2002/05/15			
				MUST REMAIN WITHIN DIMENSIONS		THIS DRAWING CONTAINS INFORMATION THAT IS PROPRIETARY TO MOLEX INCORPORATED AND SHOULD NOT BE USED WITHOUT WRITTEN PERMISSION							

MINIFIT SR. FEMALE CRIMP
TERMINAL, 14-16 AWG
GOLD PLATED

MOLEX INCORPORATED

SEE CHART SD-42815-020